

Phoenix e-Bike & e-Scooter Charging Station



EnerFusion Inc.

Power-up GREEN!

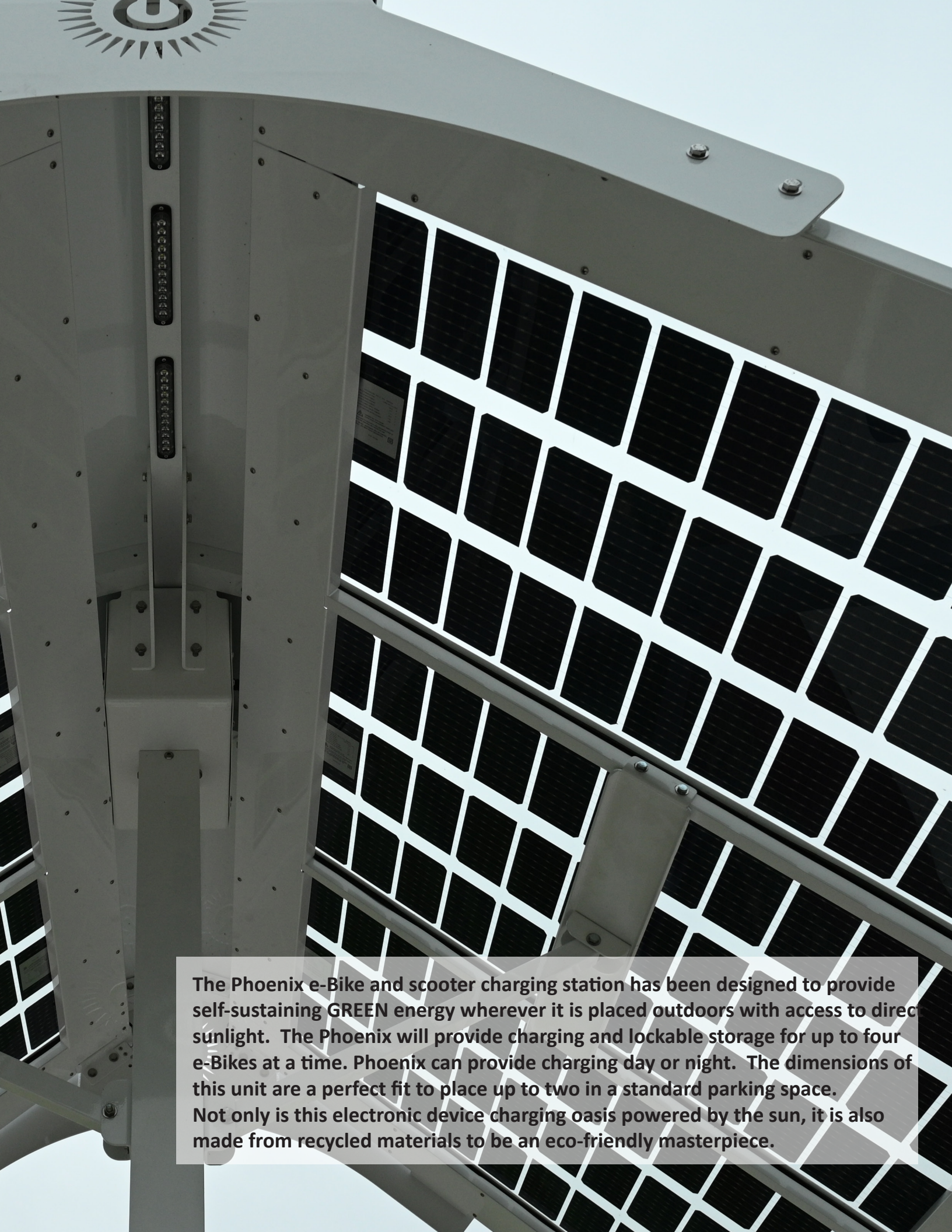
www.enerfusioninc.com

Features of the Phoenix:

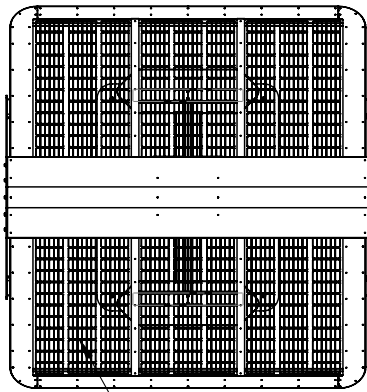
- Generates and stores electricity for use day or night for true "Off the Grid" GREEN power!
- Provides (4) secure lockable parking spaces for your e-Bike with protective plastic surfaces to provide a scratch free interface with your e-Bike
- Provides (4) 110 vac 60 hz GFCI outlets housed in a environment friendly cubby to place your charger out of the elements
- Ambient Lighting activated at dusk.
- Robust capacity 200 Ah Gel Cell battery bank or an optional LiFePo4 battery module available for suitable climates.
- Provides surge protected electricity for your electronic devices.
- **** NEW 2023**** - Powdura ECO recycled plastic powder coating finishes available.
- Structural components constructed from Aluminum, thus preventing any potential for rusting of the structure as seen with other outdoor furnishings on the market.
- Stainless steel fasteners utilized for long lasting and rust-free securing of components.
- Solar charge controller with digital readouts and blue-tooth connectivity with mobile app to (IOS and Android) monitor system information.
- Easy to clean surfaces.- Umbrella surfaces can accommodate custom logos.
- Each product is fully customizable with many color choices available for table top, seat surfaces, structural aluminum components, and umbrella panel surfaces.
- 150 MPH wind-rating

The Phoenix is Made in America!

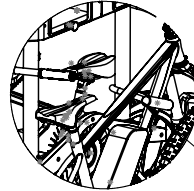




The Phoenix e-Bike and scooter charging station has been designed to provide self-sustaining GREEN energy wherever it is placed outdoors with access to direct sunlight. The Phoenix will provide charging and lockable storage for up to four e-Bikes at a time. Phoenix can provide charging day or night. The dimensions of this unit are a perfect fit to place up to two in a standard parking space. Not only is this electronic device charging oasis powered by the sun, it is also made from recycled materials to be an eco-friendly masterpiece.

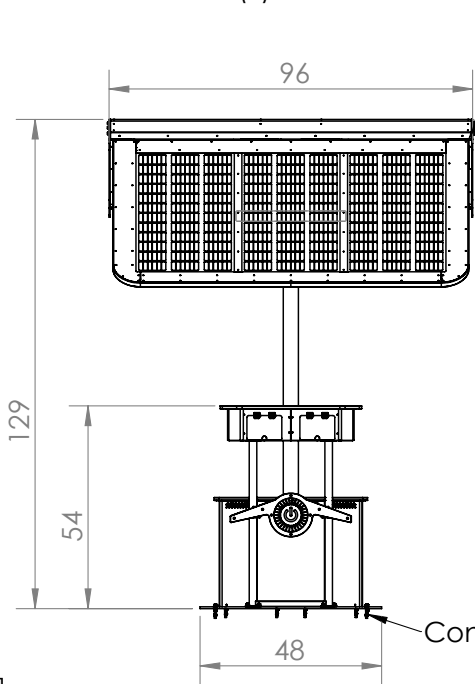
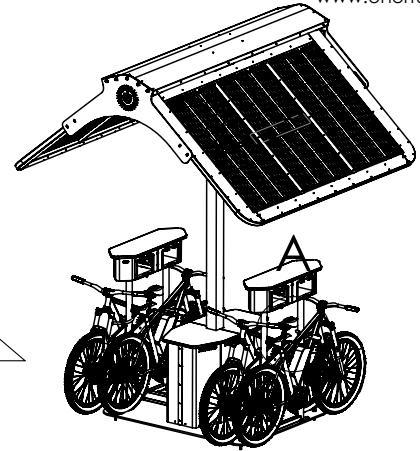


(6) 130 watt Solar Panels

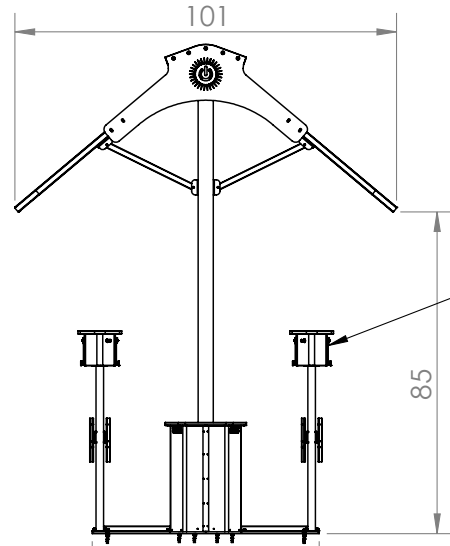


DETAIL A
SCALE 1 : 20

eBike Lock locations



Automatic digital timer activated
"Ambient "LED Canopy Lighting



Charging Pods



Concrete Anchor Bolts

CONFIDENTIAL DRAWING INFORMATION CONTAINED HEREIN IS THE PROPERTY OF ENERFUSION, INC. INTENDED USE IS LIMITED TO DESIGN PROFESSIONALS SPECIFYING ENERFUSION, INC. PRODUCTS AND THEIR DIRECT CLIENTS. DRAWING IS NOT TO BE COPIED OR DISCLOSED TO OTHERS WITHOUT THE CONSENT OF ENERFUSION, INC.

