

Aquarius Solar Lounge

Power-up GREEN!





Features of the

Aquarius Solar Lounge:

- Generates and stores electricity for use day or night for true “Off the Grid” GREEN power!
- (1) USB Type “A” High-Speed charging outlet
- (2) USB Type “C” charging outlets.

Dual-Port High-Speed 95 Watt USB-C Charger Ports

* (1) 65W USB C Output: 5V - 3A / 9V - 3A / 12V - 3A / 15V - 3A / 20V - 3.2A

* (1) 30W USB C Output: 5V - 3A / 9V - 3A / 12V - 2.5A

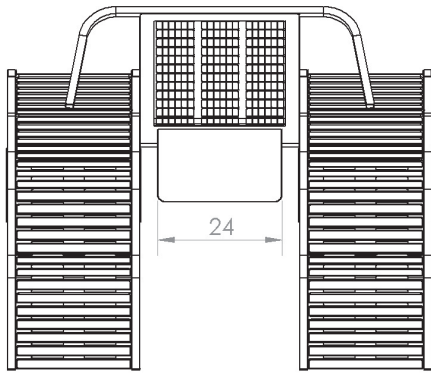
- (2) Qi “Wireless” charging location conveniently located on the mini table top surface
- 130 watt BIPV solar panel
- Robust capacity 20 Ah LiFePo4 battery bank.
- (6) Ambient LED lighting system operated automatically at dusk with configurable digital timer to allow for adjustments to “on” and “off” times.
- Solar charge controller with digital readouts and bluetooth connectivity with mobile app to monitor system information.
- Structural components constructed from aluminum, thus preventing any potential for rusting of the structure as seen with other outdoor furnishings on the market.
- Seat and table top available in recycled plastic (9 colors to choose from) or in aluminum plate (188 colors to choose from).
- Stainless steel fasteners utilized for long lasting and rust-free securing of components.
- Easy to clean surfaces.
- Each product is fully customizable with many color choices available.
- Patent pending design
- The “Aquarius Solar Lounge” is

Made in America!

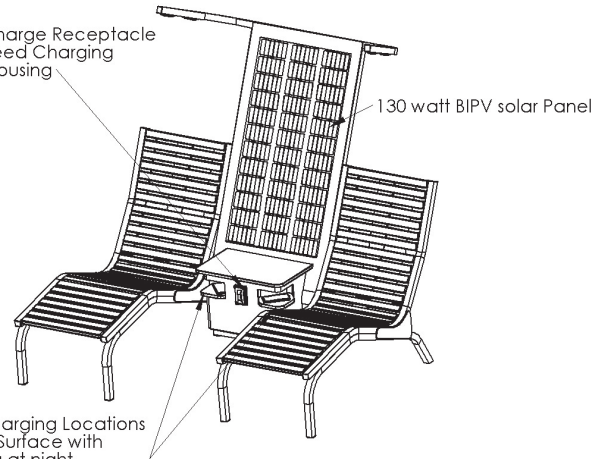
Introducing the “Aquarius Solar Lounge”, a solar-powered lounge chair.

This charging station is a great addition to any campus or outdoor venue.

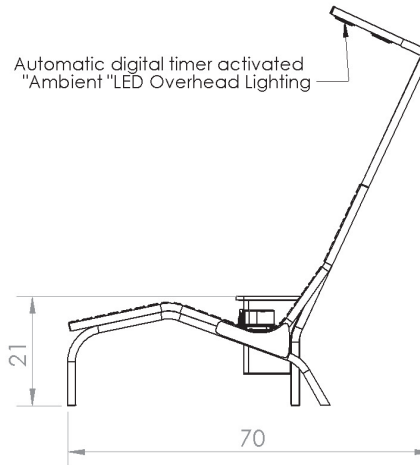
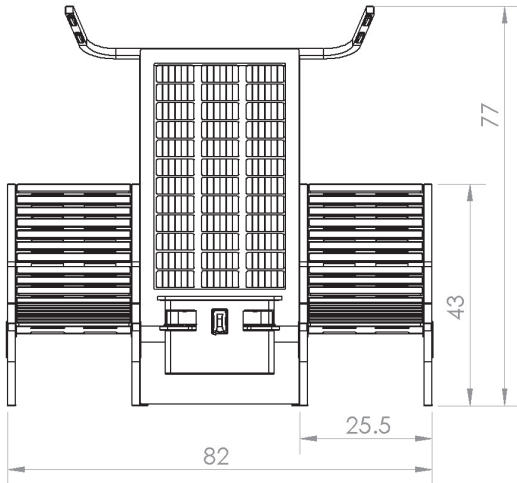
The Aquarius Solar Lounge has been designed to provide self-sustaining “GREEN” energy wherever it is placed outdoors with access to direct sunlight.



- (1) USB-A Quick Charge Receptacle
- (2) USB-C High Speed Charging in weatherproof housing



- (2) Qi Wireless Charging Locations on Cubby Table Surface with LED bullet lighting at night



page 1 of 1
Date 01/03/2023

CONFIDENTIAL DRAWING INFORMATION CONTAINED HEREIN IS THE PROPERTY OF ENERFUSION, INC. INTENDED USE IS LIMITED TO DESIGN PROFESSIONALS SPECIFYING ENERFUSION, INC. PRODUCTS AND THEIR DIRECT CLIENTS. DRAWING IS NOT TO BE COPIED OR DISCLOSED TO OTHERS WITHOUT THE CONSENT OF ENERFUSION, INC.

